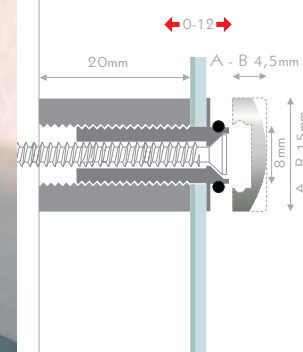


1:1



fisso




EN economical, for pre-assembly. in the workshop signs and panels can be pre-assembled and fastened between wall spacer and centerpiece. on site mark the wall holes and place the dowels. mount the sign to the wall and press on the deco-head. for easy mounting: screw can move slightly in the spacer allowing to compensate defiance of the boreholes in the wall.

mounting: screwssystem with deco-head, for pre-assembly, easy, quick, low-budget. **material:** brass, wall spacer nickel-plated, deco head brass gold-, silver- or chrome-plated. **wall distance:** 20mm. **sign thickness:** max. 12mm



budget **fisso**



- chrome  FBUD1520CM
- silver  FBUD1520AR
- gold  FBUD1520GD

