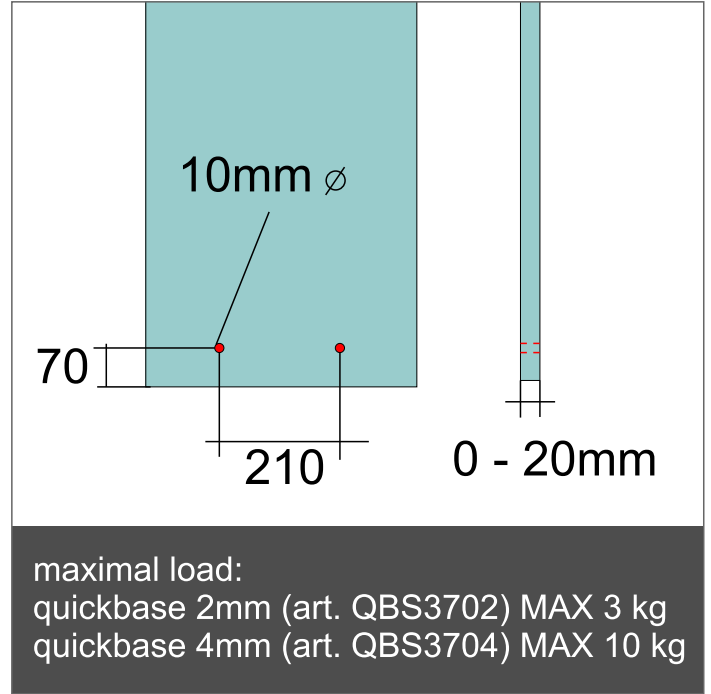
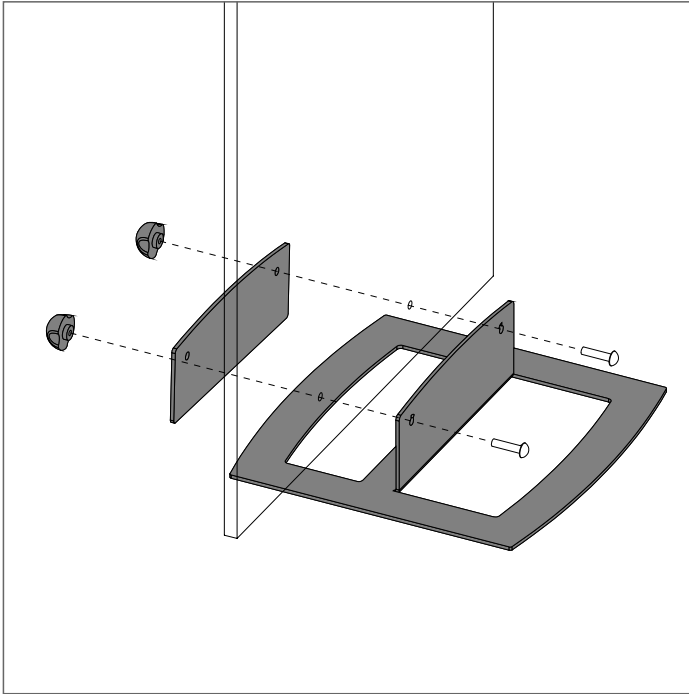
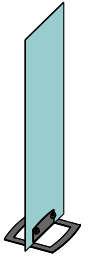


art. QBS3704
 art. QBS3702



alternative for quick mounting and exchange

art. QBS3704
 art. QBS3702

