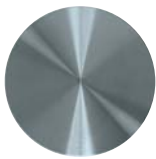
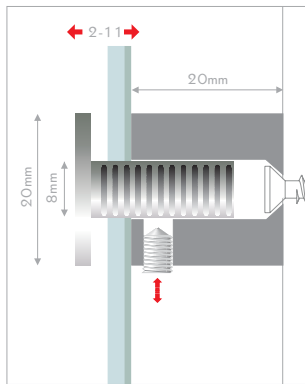




FISSO steel 20



1:1



product nr. _____

steel
FS2020IX

EN stainless steel, plug-interlocksystem for middle sizes. wallmount the fastener, fasten the panel with the head and allen screw in the fastener
mounting: plug-interlocksystem, tamper-proof. material: stainless steel AISI304. wall distance: 20mm. sign thickness: 2mm-15mm.

combinations

